



SAIT

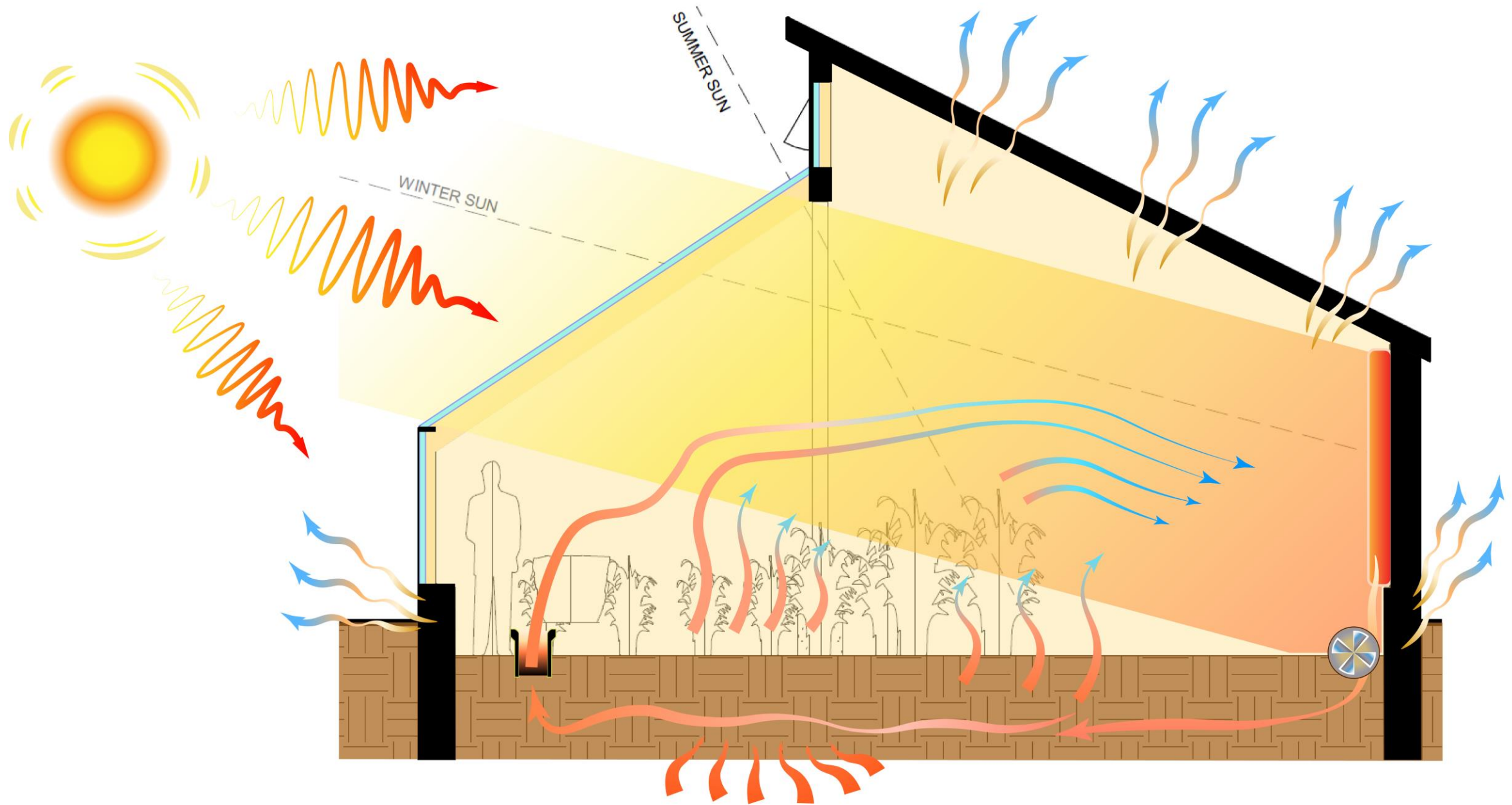
Low Carbon Low Energy Northern Greenhouse Demonstration

Red Deer Public School District
Scott Builders
ZS2 Technologies
SAIT-GBT

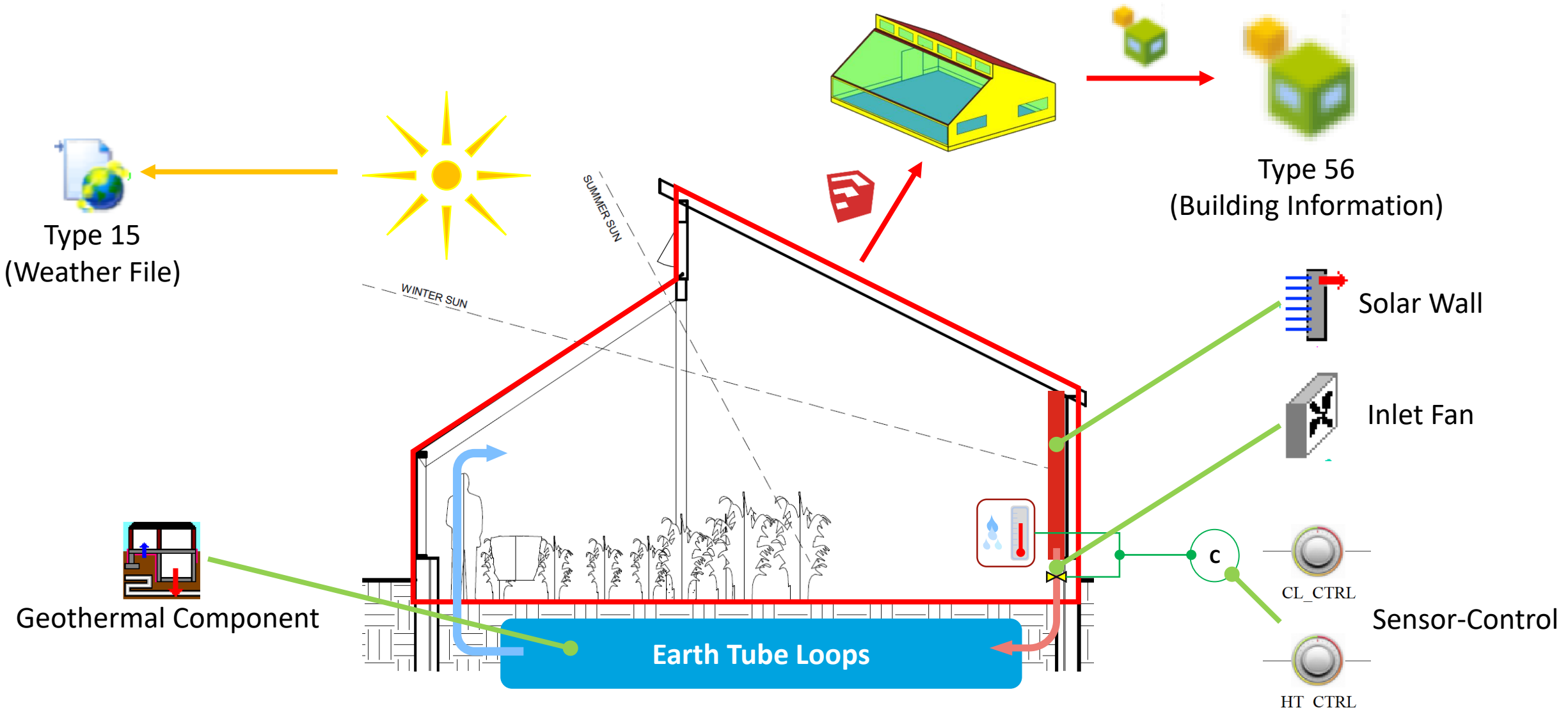






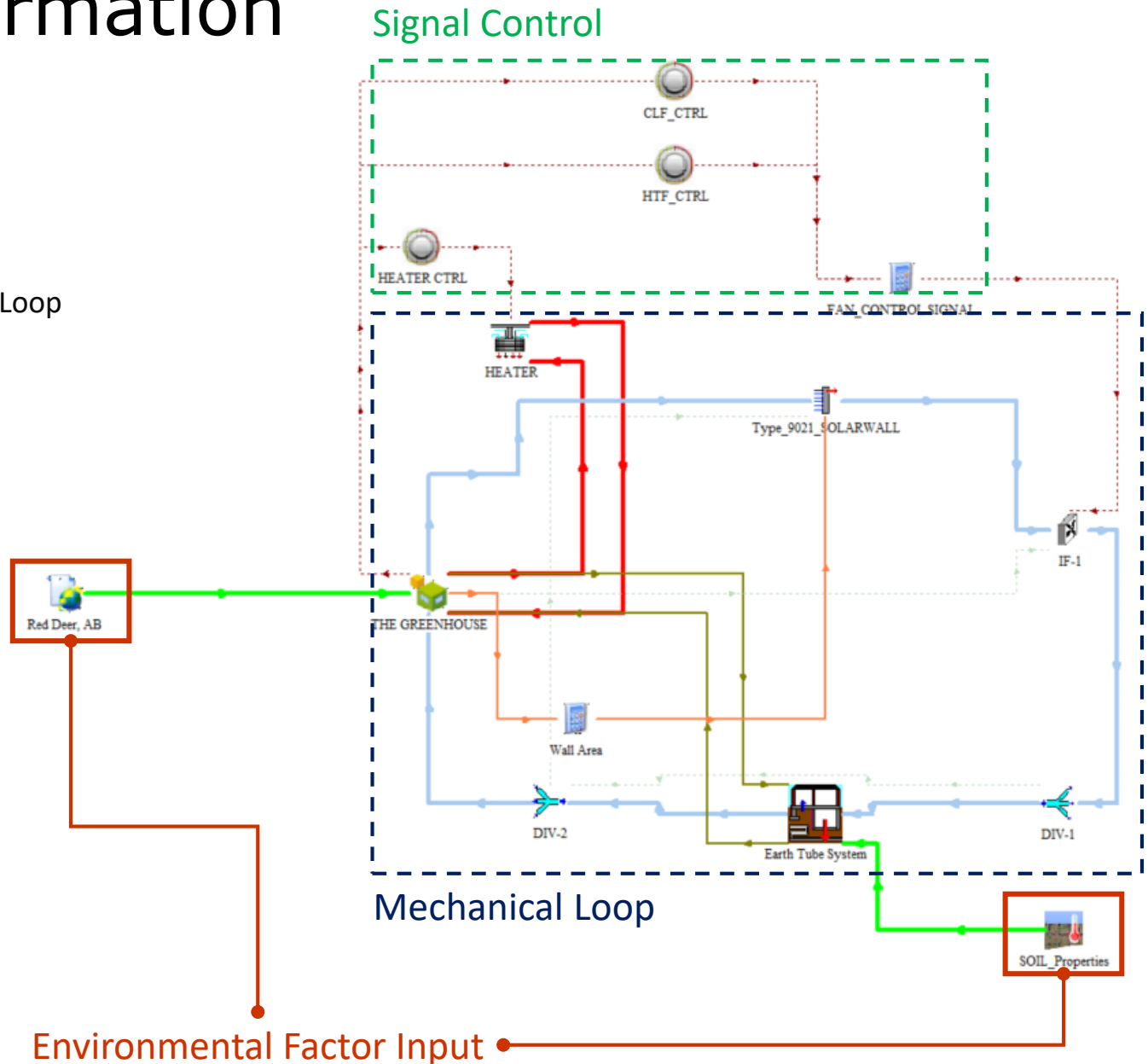


TRNSYS Modelling Information



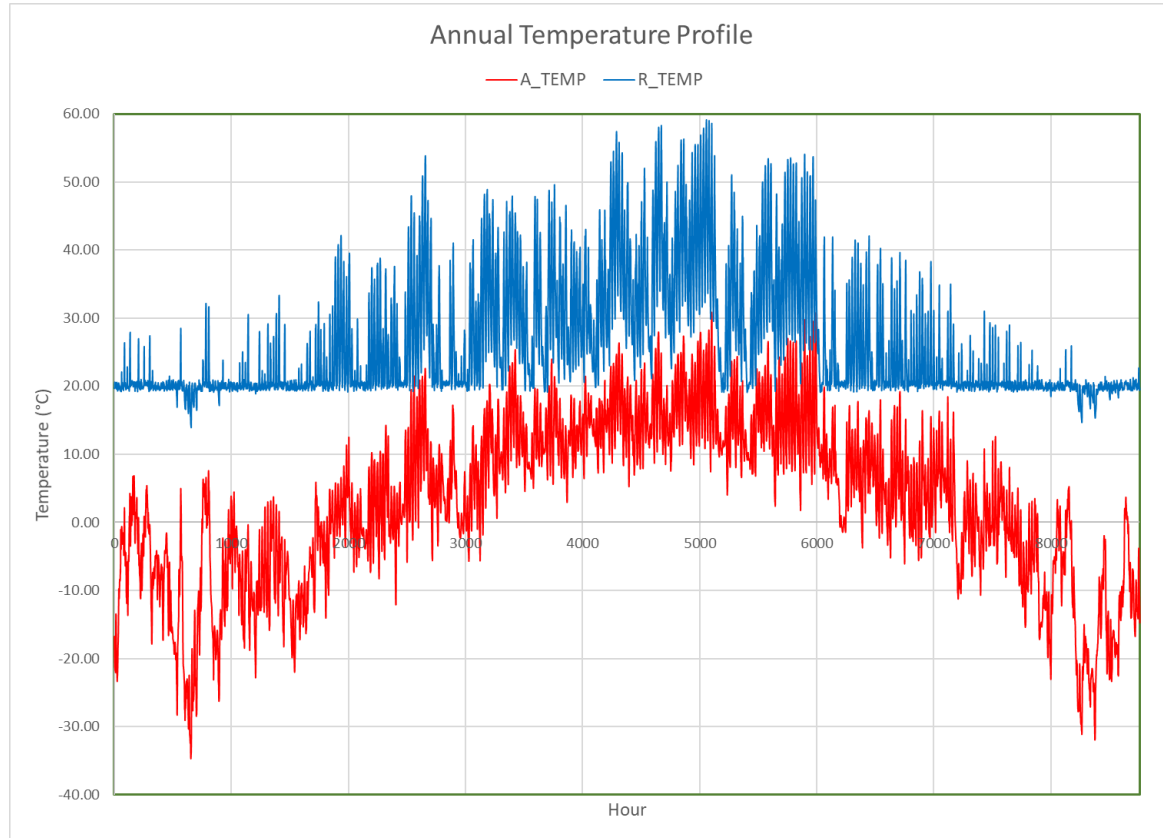
TRNSYS Modelling Information

- Environmental Input
- Air Flow Loop
- Heated Air Loop
- Interior Ground Heat Exchange Loop
- Solar Wall Physical Parameters
- - -●- - - Humidity Conservation Control
- - -●- - - Mechanical Control

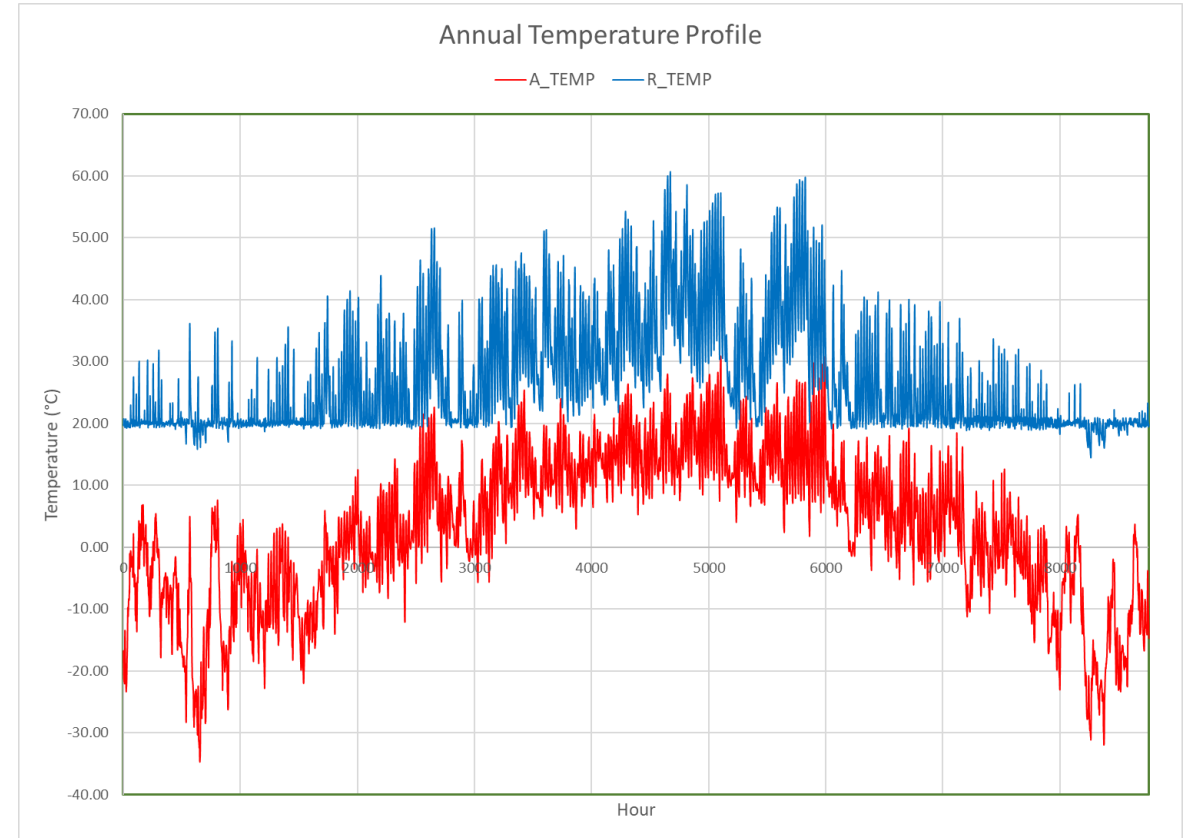


Environmental Factor Input

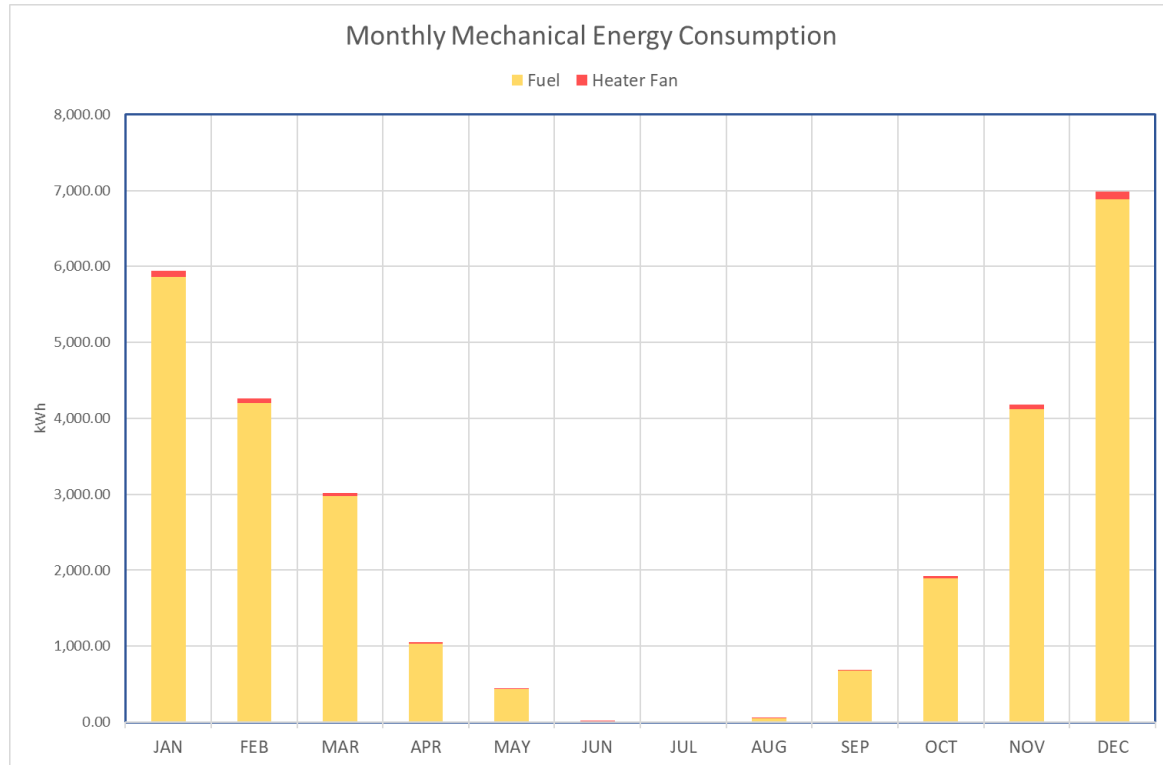
Active Conditioning Greenhouse



Ground Coupling System Greenhouse



Active Conditioning Greenhouse



Ground Coupling System Greenhouse

